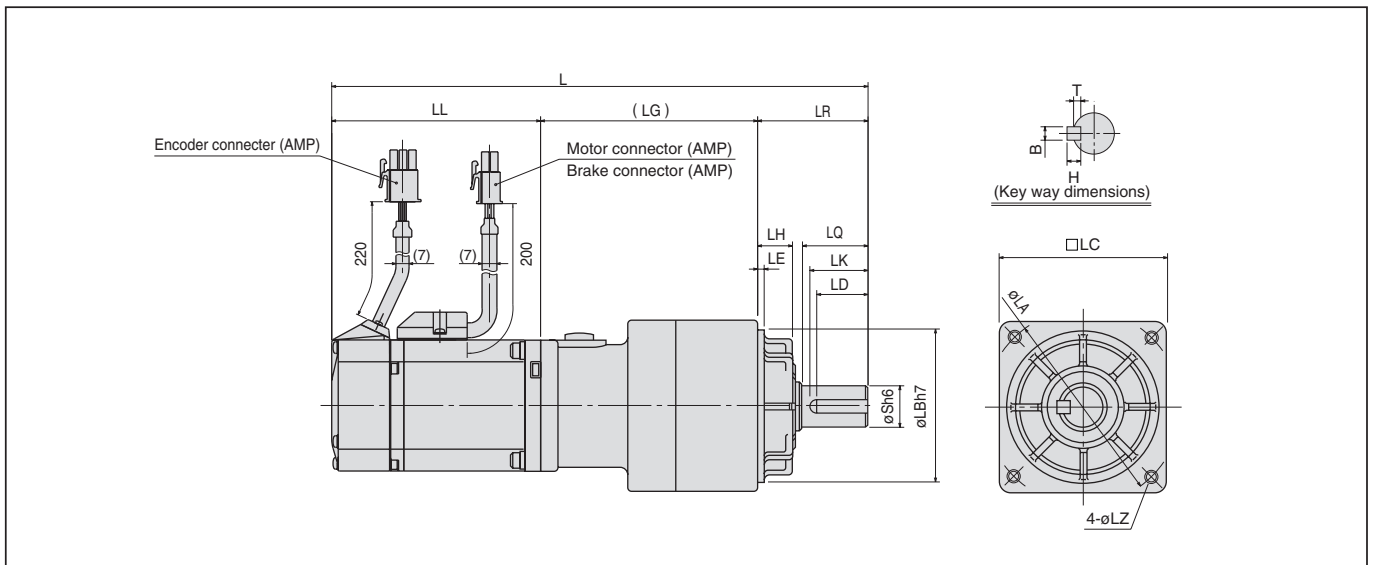


### Dimensions of Motor with Gear Reducer

#### ● MSMD series with gear reducer



#### ● 2500P/r encoder

#### ● 17-bit encoder

Model	Motor output	Reduction ratio	L	LL	LR	LQ	LC	LB	LA	S	LH	LZ	LK	(LG)	LE	Key way BXHXLD	T
MSMD01□□□1N	100W	1 / 5	191.5	92	32	20	52	50	60	12	10	M5 (Depth : 12)	18	67.5	4 x 4 x 16	2.5	
			221.5	122													
		1 / 9	191.5	92										78			
			221.5	122													
MSMD01□□□3N	1/15	202	92														
		232	122														
MSMD01□□□4N	1/25	234	92	50	30	78	70	90	19	17	M6 (Depth : 20)	26	92	6 x 6 x 22	3.5		
		264	122														
MSMD02□□□1N	200W	1 / 5	183.5	79	50	30	78	70	90	12	10	M5 (Depth : 12)	18	72.5	4 x 4 x 16	2.5	
			220	115.5													
		1 / 9	218.5	79										89.5			
			255	115.5													
MSMD02□□□3N	1/15	229	79	100													
		265.5	115.5														
MSMD02□□□4N	1/25	229	79	26	100												
		265.5	115.5														
MSMD04□□□1N	400W	1 / 5	238	98.5	61	40	98	90	115	24	18	M6 (Depth : 20)	35	104	5	8 x 7 x 30	4
			274.5	135													
		1 / 9	238	98.5										89.5			
			274.5	135													
MSMD04□□□3N	1/15	248.5	98.5	100													
		285	135														
MSMD04□□□4N	1/25	263.5	98.5	26	104												
		300	135														
MSMD082□□1N	750W	1 / 5	255.5	112	61	40	98	90	115	24	18	M6 (Depth : 20)	26	93.5	3	6 x 6 x 22	3.5
			292.5	149													
		1 / 9	270.5	112										97.5			
			307.5	149													
MSMD082□□3N	1/15	283	112	35	110												
		320	149														
MSMD082□□4N	1/25	283	112	5	8 x 7 x 30	4											
		320	149														

Upper column : without brake   
Lower column : with brake