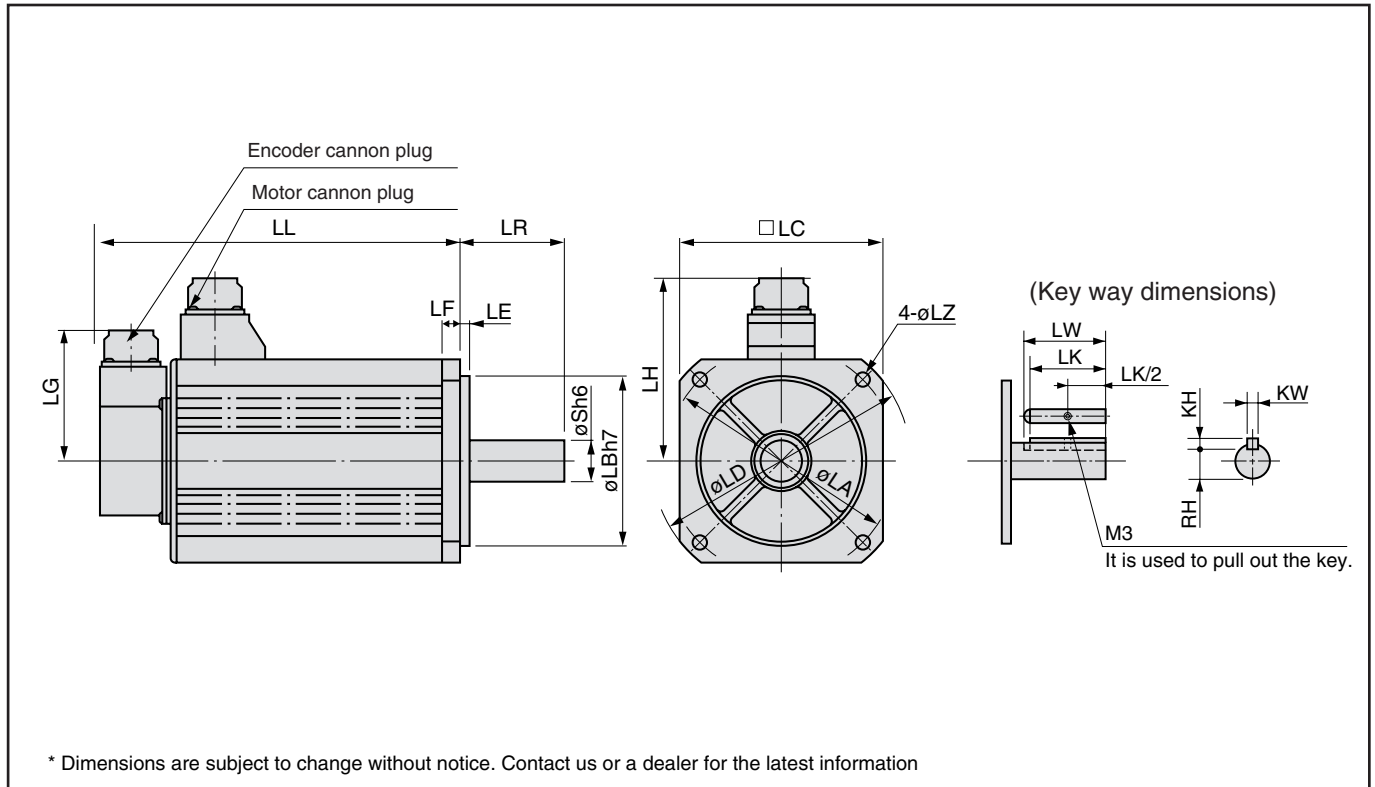


Motor Dimensions

MHMA 500W - 1.5kW

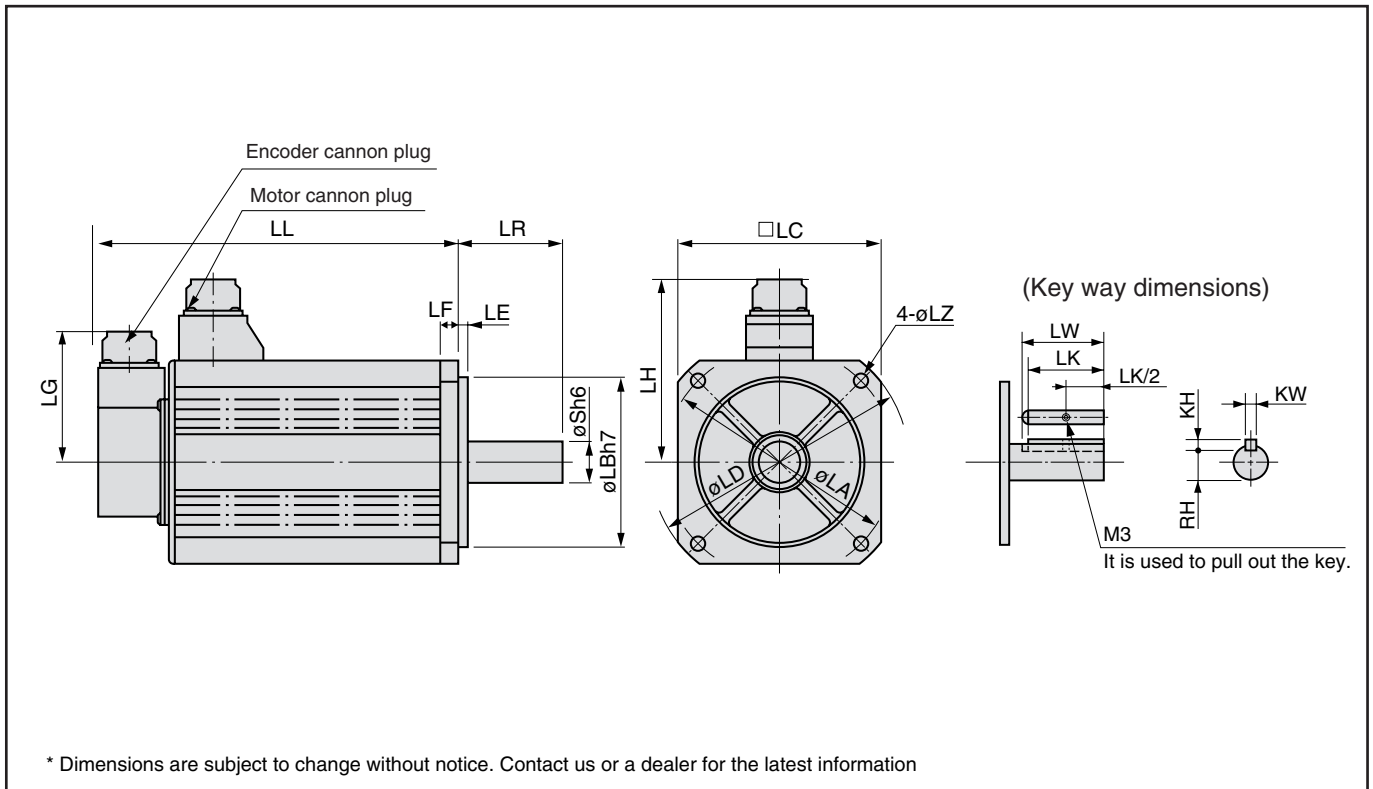


		MHMA series (High inertia)					
Motor output		500W		1.0kW		1.5kW	
Motor model	MHMA	052P1□	052S1□	102P1□	102S1□	152P1□	152S1□
Rotary encoder specifications		2500P/r Incremental	17-bit Absolute/ Incremental	2500P/r Incremental	17-bit Absolute/ Incremental	2500P/r Incremental	17-bit Absolute/ Incremental
LL	Without brake	150	150	175	175	200	200
	With brake	175	175	200	200	225	225
LR		70		70		70	
S		22		22		22	
LA		145		145		145	
LB		110		110		110	
LC		130		130		130	
LD		165		165		165	
LE		6		6		6	
LF		12		12		12	
LG		84		84		84	
LH		118		118		118	
LZ		9		9		9	
Key way	LW	45		45		45	
	LK	41		41		41	
	KW	8h9		8h9		8h9	
	KH	7		7		7	
	RH	18		18		18	
Mass (kg)	Without brake	5.3	5.3	8.9	8.9	10.0	10.0
	With brake	6.9	6.9	9.5	9.5	11.6	11.6
Connector/Plug specifications		refer to page A4-114					

<Cautions> Reduce the moment of inertia ratio if high speed response operation is required.
Read the Instruction Manual carefully and understand all precautions and remarks before using the products.

Motor Dimensions

MHMA 2.0kW - 5.0kW

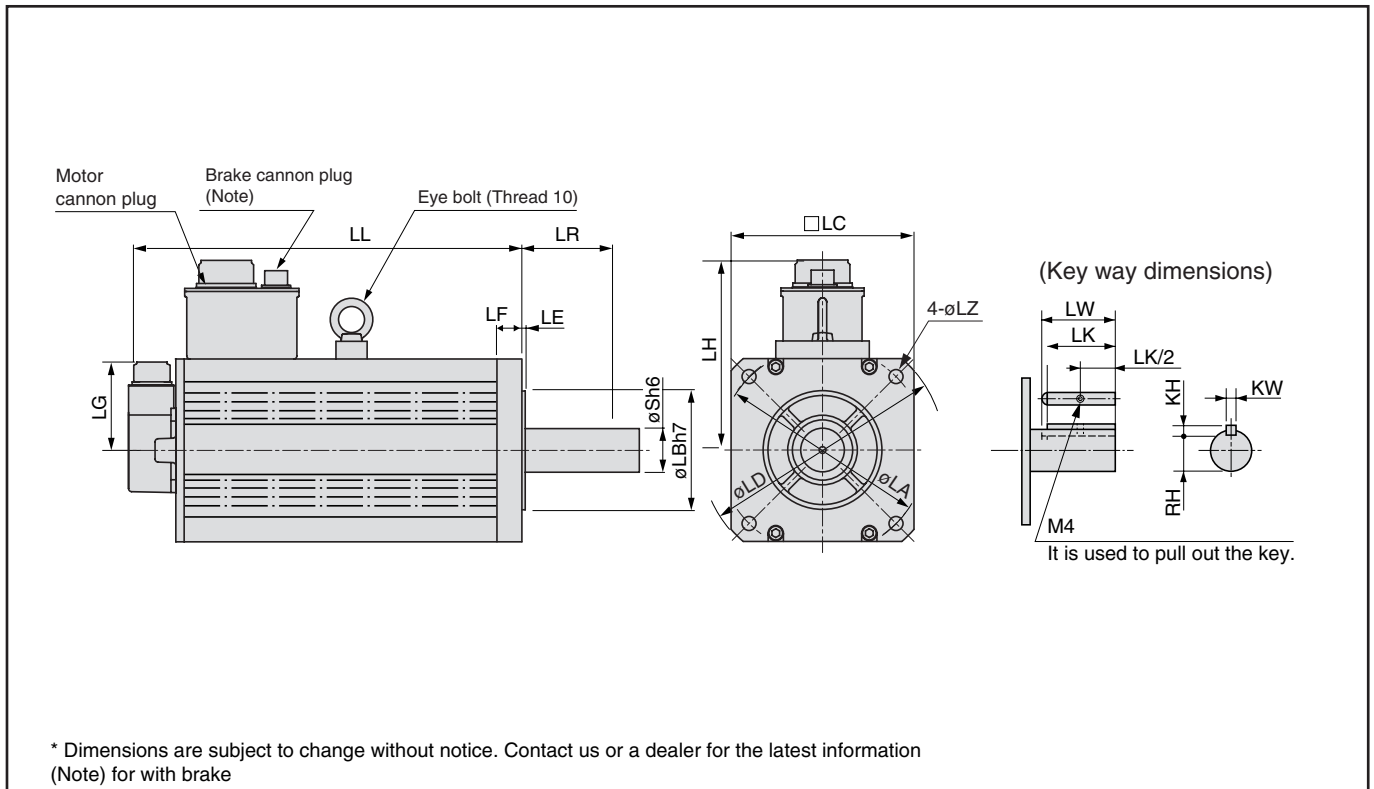


		MHMA series (High inertia)									
Motor output		2.0kW		3.0kW		4.0kW		5.0kW			
Motor model		MHMA		202P1□	202S1□	302P1□	302S1□	402P1□	402S1□	502P1□	502S1□
Rotary encoder specifications		2500P/r Incremental	17-bit Absolute/ Incremental	2500P/r Incremental	17-bit Absolute/ Incremental	2500P/r Incremental	17-bit Absolute/ Incremental	2500P/r Incremental	17-bit Absolute/ Incremental	2500P/r Incremental	17-bit Absolute/ Incremental
LL	Without brake	190	190	205	205	230	230	255	255	280	280
	With brake	215	215	230	230	255	255	280	280		
LR		80		80		80		80			
S		35		35		35		35			
LA		200		200		200		200			
LB		114.3		114.3		114.3		114.3			
LC		176		176		176		176			
LD		233		233		233		233			
LE		3.2		3.2		3.2		3.2			
LF		18		18		18		18			
LG		84		84		84		84			
LH		143		143		143		143			
LZ		13.5		13.5		13.5		13.5			
Key way	LW	55		55		55		55			
	LK	50		50		50		50			
	KW	10h9		10h9		10h9		10h9			
	KH	8		8		8		8			
	RH	30		30		30		30			
Mass (kg)	Without brake	16.0	16.0	18.2	18.2	22.0	22.0	26.7	26.7		
	With brake	19.5	19.5	21.7	21.7	25.5	25.5	30.2	30.2		
Connector/Plug specifications		refer to page A4-114									

<Cautions> Reduce the moment of inertia ratio if high speed response operation is required.
Read the Instruction Manual carefully and understand all precautions and remarks before using the products.

Motor Dimensions

MHMA 7.5kW



		MHMA series (High inertia)	
Motor output		7.5kW	
Motor model	MHMA	752P1□	752S1□
Rotary encoder specifications		2500P/r Incremental	17-bit Absolute/ Incremental
LL	Without brake	380.5	380.5
	With brake	420.5	420.5
	LR	113	
	S	42	
	LA	200	
	LB	114.3	
	LC	176	
	LD	233	
	LE	3.2	
	LF	24	
	LG	84	
	LH	183	
	LZ	13.5	
Key way	LW	96	
	LK	90	
	KW	12h9	
	KH	8	
	RH	37	
Mass (kg)	Without brake	43.5	43.5
	With brake	47.5	47.5
Connector/Plug specifications		refer to page A4-114	

<Cautions> Reduce the moment of inertia ratio if high speed response operation is required.
Read the Instruction Manual carefully and understand all precautions and remarks before using the products.