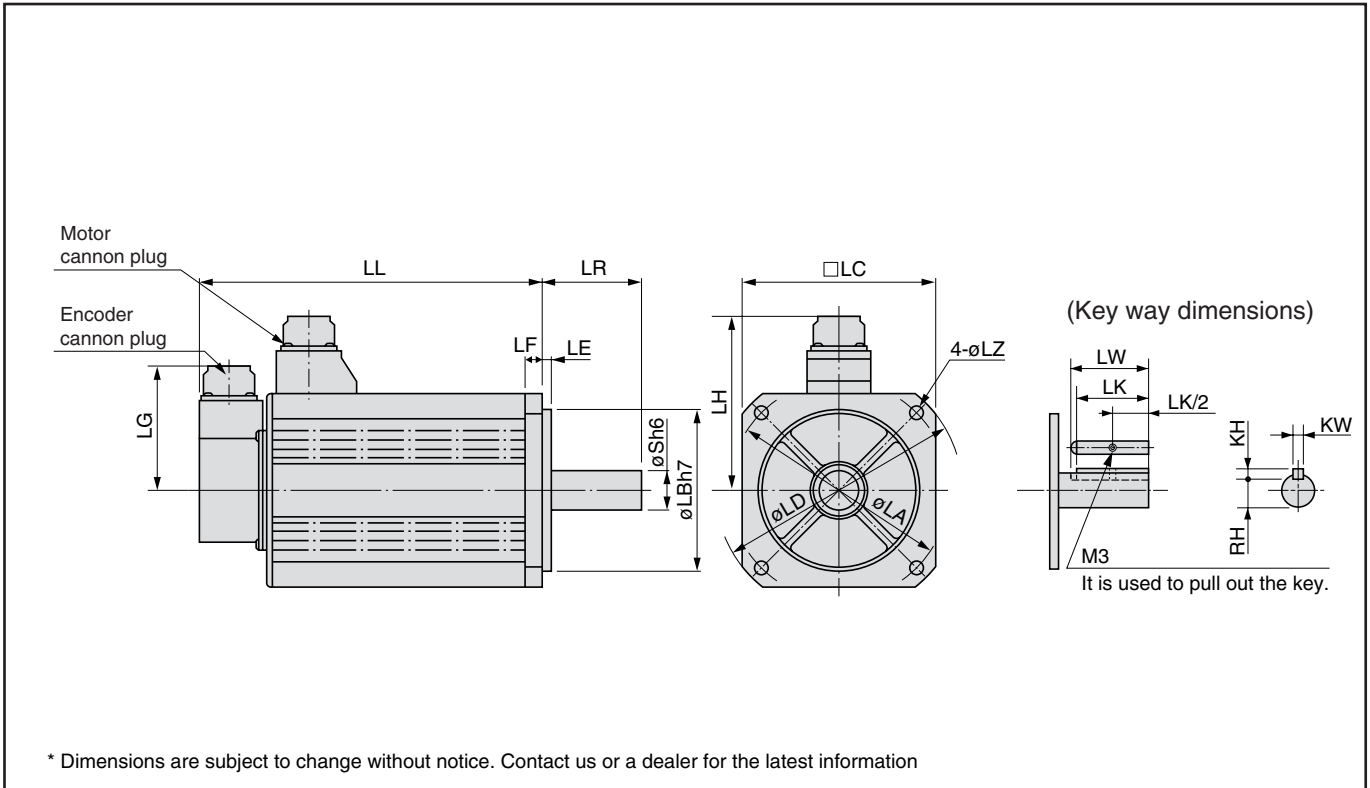


Motor Dimensions

MDMA 1.0kW - 1.5kW



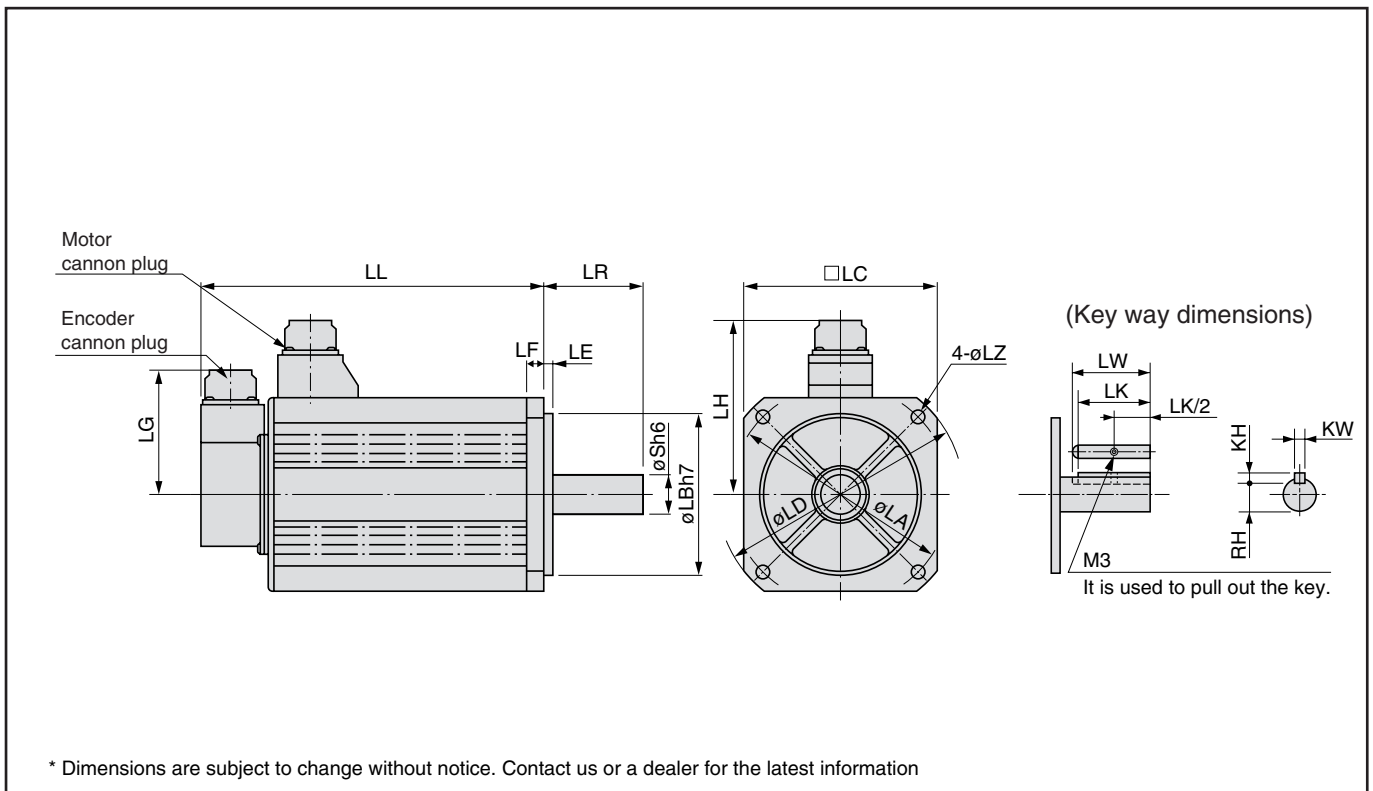
MDMA series (Middle inertia)

| Motor output | | 1.0kW | | 1.5kW | | |
|-------------------------------|---------------|----------------------|------------------------|------------------------------------|------------------------|------------------------------------|
| Motor model | | MDMA | 102P1□ | 102S1□ | 152P1□ | 152S1□ |
| Rotary encoder specifications | | | 2500P/r Incremental | 17-bit Absolute/ Incremental | 2500P/r Incremental | 17-bit Absolute/ Incremental |
| LL | Without brake | | 150 | 150 | 175 | 175 |
| | With brake | | 175 | 175 | 200 | 200 |
| LR | | | 55 | | 55 | |
| S | | | 22 | | 22 | |
| LA | | | 145 | | 145 | |
| LB | | | 110 | | 110 | |
| LC | | | 130 | | 130 | |
| LD | | | 165 | | 165 | |
| LE | | | 6 | | 6 | |
| LF | | | 12 | | 12 | |
| LG | | | 84 | | 84 | |
| LH | | | 118 | | 118 | |
| LZ | | | 9 | | 9 | |
| Key way | LW | | 45 | | 45 | |
| | LK | | 41 | | 41 | |
| | KW | | 8h9 | | 8h9 | |
| | KH | | 7 | | 7 | |
| | RH | | 18 | | 18 | |
| Mass (kg) | Without brake | | 6.8 | 6.8 | 8.5 | 8.5 |
| | With brake | | 8.7 | 8.7 | 10.1 | 10.1 |
| Connector/Plug specifications | | refer to page A4-114 | | | | |

<Cautions> Reduce the moment of inertia ratio if high speed response operation is required.
 Read the Instruction Manual carefully and understand all precautions and remarks before using the products.

Motor Dimensions

MDMA 2.0kW - 3.0kW

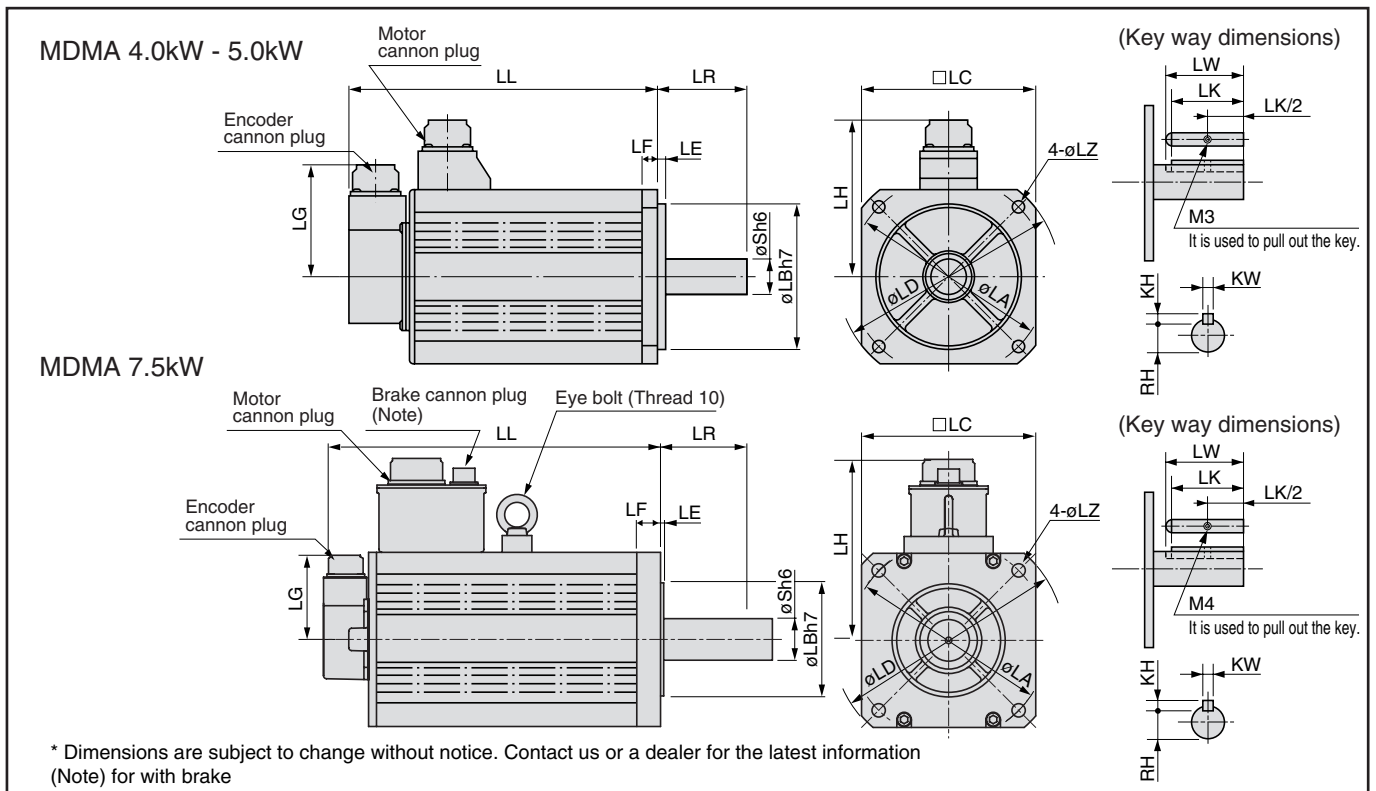


| | | MDMA series (Middle inertia) | | | |
|-------------------------------|---------------|------------------------------|------------------------------------|------------------------|------------------------------------|
| Motor output | | 2.0kW | | 3.0kW | |
| Motor model | MDMA | 202P1□ | 202S1□ | 302P1□ | 302S1□ |
| Rotary encoder specifications | | 2500P/r Incremental | 17-bit Absolute/ Incremental | 2500P/r Incremental | 17-bit Absolute/ Incremental |
| LL | Without brake | 200 | 200 | 250 | 250 |
| | With brake | 225 | 225 | 275 | 275 |
| LR | | 55 | | 65 | |
| S | | 22 | | 24 | |
| LA | | 145 | | 145 | |
| LB | | 110 | | 110 | |
| LC | | 130 | | 130 | |
| LD | | 165 | | 165 | |
| LE | | 6 | | 6 | |
| LF | | 12 | | 12 | |
| LG | | 84 | | 84 | |
| LH | | 118 | | 118 | |
| LZ | | 9 | | 9 | |
| Key way | LW | 45 | | 55 | |
| | LK | 41 | | 51 | |
| | KW | 8h9 | | 8h9 | |
| | KH | 7 | | 7 | |
| | RH | 18 | | 20 | |
| Mass (kg) | Without brake | 10.6 | 10.6 | 14.6 | 14.6 |
| | With brake | 12.5 | 12.5 | 16.5 | 16.5 |
| Connector/Plug specifications | | refer to page A4-114 | | | |

<Cautions> Reduce the moment of inertia ratio if high speed response operation is required.
Read the Instruction Manual carefully and understand all precautions and remarks before using the products.

Motor Dimensions

MDMA 4.0kW - 7.5kW



| | | MDMA series (Middle inertia) | | | | | |
|-------------------------------|---------------|------------------------------|-----------------------------|---------------------|-----------------------------|---------------------|-----------------------------|
| Motor output | | 4.0kW | | 5.0kW | | 7.5kW | |
| Motor model | | MDMA 402P1□ | MDMA 402S1□ | MDMA 502P1□ | MDMA 502S1□ | MDMA 752P1□ | MDMA 752S1□ |
| Rotary encoder specifications | | 2500P/r Incremental | 17-bit Absolute/Incremental | 2500P/r Incremental | 17-bit Absolute/Incremental | 2500P/r Incremental | 17-bit Absolute/Incremental |
| LL | Without brake | 242 | 242 | 225 | 225 | 340.5 | 340.5 |
| | With brake | 267 | 267 | 250 | 250 | 380.5 | 380.5 |
| LR | | 65 | | 70 | | 113 | |
| S | | 28 | | 35 | | 42 | |
| LA | | 165 | | 200 | | 200 | |
| LB | | 130 | | 114.3 | | 114.3 | |
| LC | | 150 | | 176 | | 176 | |
| LD | | 190 | | 233 | | 233 | |
| LE | | 3.2 | | 3.2 | | 3.2 | |
| LF | | 18 | | 18 | | 24 | |
| LG | | 84 | | 84 | | 84 | |
| LH | | 128 | | 143 | | 183 | |
| LZ | | 11 | | 13.5 | | 13.5 | |
| Key way | LW | 55 | | 55 | | 96 | |
| | LK | 51 | | 50 | | 90 | |
| | KW | 8h9 | | 10h9 | | 12h9 | |
| | KH | 7 | | 8 | | 8 | |
| | RH | 24 | | 30 | | 37 | |
| Mass (kg) | Without brake | 18.8 | 18.8 | 25.0 | 25.0 | 41.0 | 41.0 |
| | With brake | 21.3 | 21.3 | 28.5 | 28.5 | 45.0 | 45.0 |
| Connector/Plug specifications | | refer to page A4-114 | | | | | |

<Cautions> Reduce the moment of inertia ratio if high speed response operation is required.
Read the Instruction Manual carefully and understand all precautions and remarks before using the products.