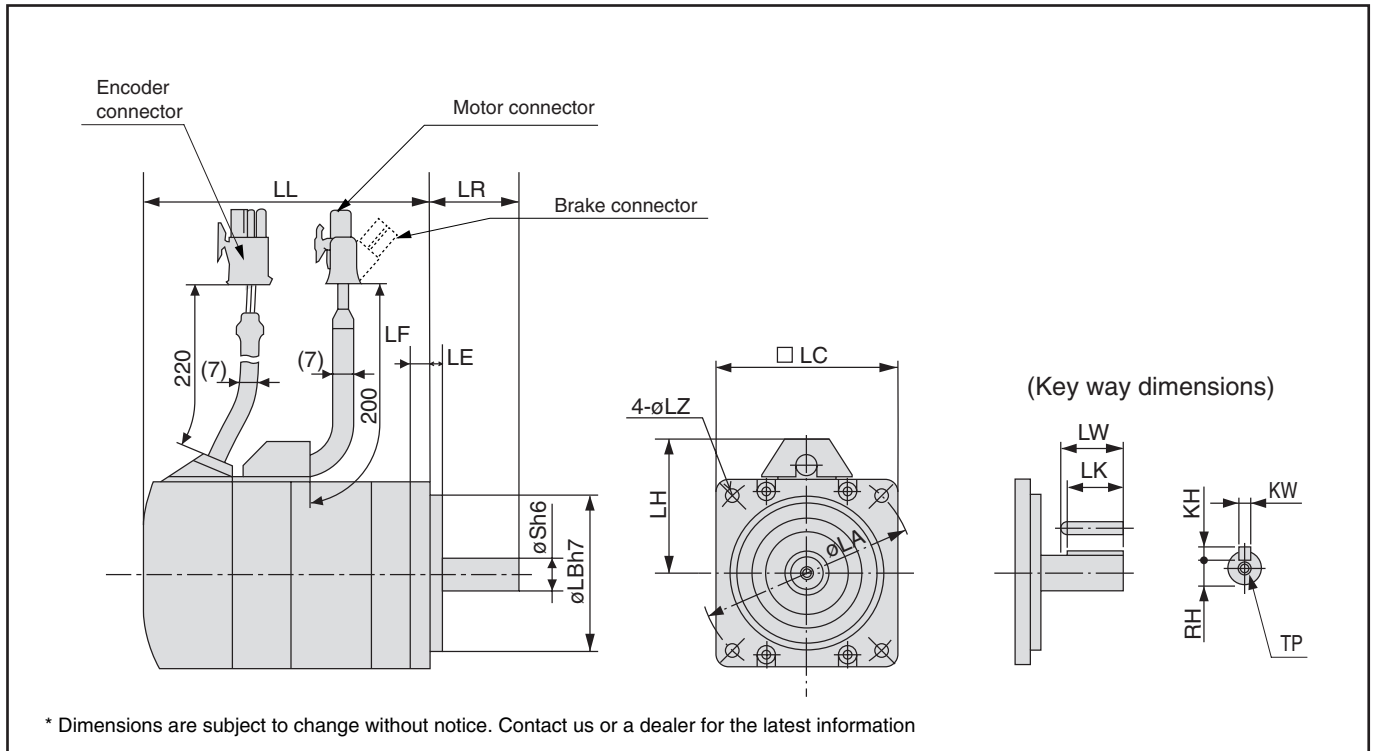


Motor Dimensions

**MINAS A4
A4P**

MSMD / MQMA
200W - 750W / 100W - 400W

MQMA 100W - 400W



		MQMA series (Low inertia)					
Motor output		100W		200W		400W	
Motor model	MQMA	01□P1□	01□S1□	02□P1□	02□S1□	04□P1□	04□S1□
Rotary encoder specifications		2500P/r Incremental	17-bit Absolute/ Incremental	2500P/r Incremental	17-bit Absolute/ Incremental	2500P/r Incremental	17-bit Absolute/ Incremental
LL	Without brake	60	87	67	94	82	109
	With brake	84	111	99.5	126.5	114.5	141.5
	LR	25		30		30	
	S	8		11		14	
	LA	70		90		90	
	LB	50		70		70	
	LC	60		80		80	
	LD	—		—		—	
	LE	3		5		5	
	LF	7		8		8	
	LG	—		—		—	
	LH	43		53		53	
	LZ	4.5		5.5		5.5	
Key way	LW	14		20		25	
	LK	12.5		18		22.5	
	KW	3h9		4h9		5h9	
	KH	3		4		5	
	RH	6.2		8.5		11	
	TP	M3 x 6 (depth)		M4 x 8 (depth)		M5 x 10 (depth)	
Mass (kg)	Without brake	0.65	0.75	1.3	1.4	1.8	1.9
	With brake	0.90	1.00	2.0	2.1	2.5	2.6
Connector/Plug specifications		refer to page A4-120					

<Cautions> Reduce the moment of inertia ratio if high speed response operation is required.
Read the Instruction Manual carefully and understand all precautions and remarks before using the products.