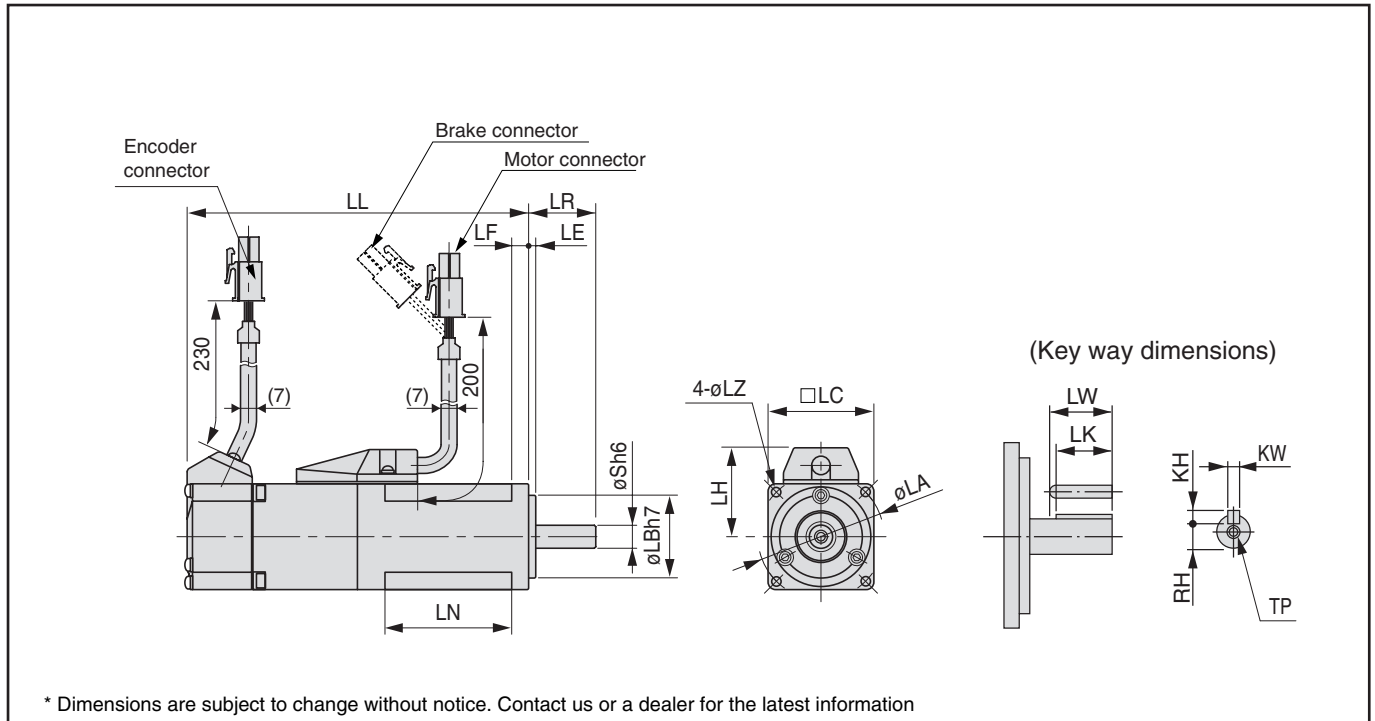


Motor Dimensions

MSMD 50W - 100W

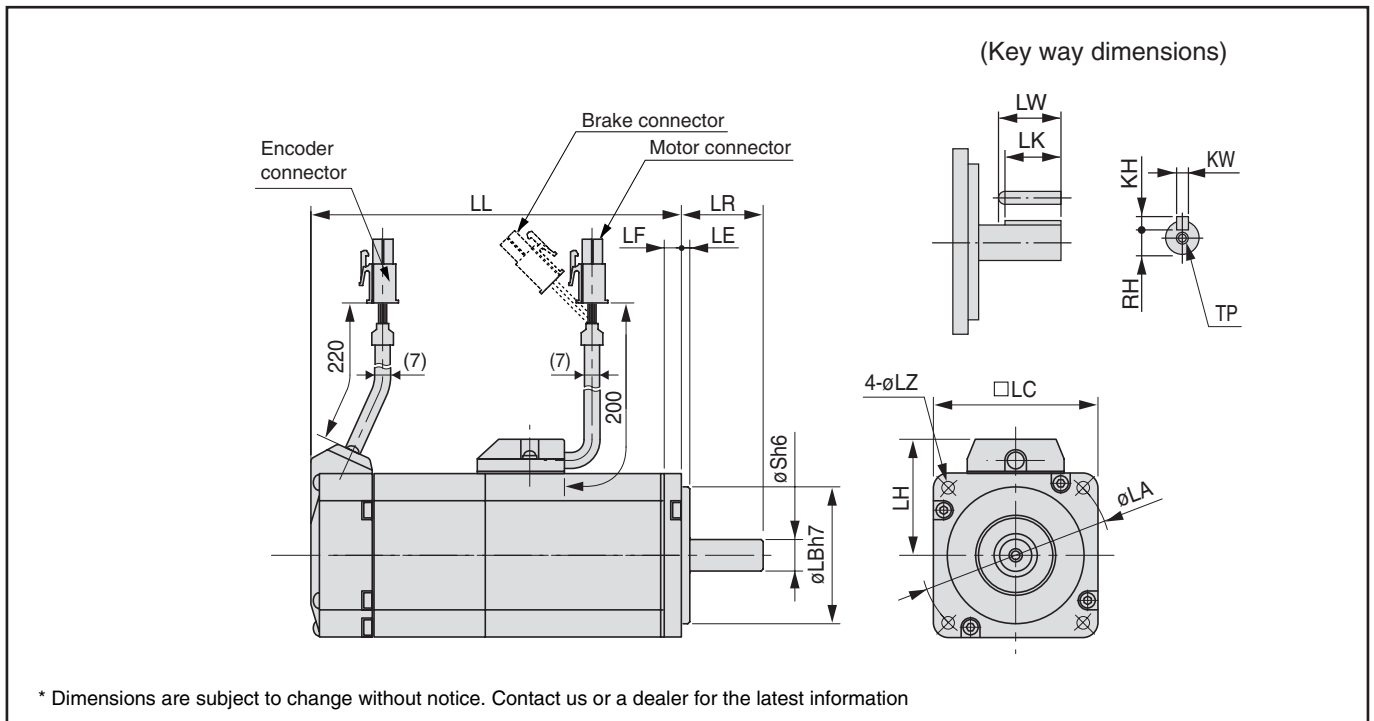


		MSMD series (Low inertia)			
Motor output		50W		100W	
Motor model	MSMD	5A□P1□	5A□S1□	01□P1□	01□S1□
Rotary encoder specifications		2500P/r Incremental	17-bit Absolute/ Incremental	2500P/r Incremental	17-bit Absolute/ Incremental
LL	Without brake	72		92	
	With brake	102		122	
	LR	25		25	
	S	8		8	
	LA	45		45	
	LB	30		30	
	LC	38		38	
	LD	—		—	
	LE	3		3	
	LF	6		6	
	LG	—		—	
	LH	32		32	
	LN	26.5		46.5	
	LZ	3.4		3.4	
Key way	LW	14		14	
	LK	12.5		12.5	
	KW	3h9		3h9	
	KH	3		3	
	RH	6.2		6.2	
	TP	M3 x 6 (depth)		M3 x 6 (depth)	
Mass (kg)	Without brake	0.32		0.47	
	With brake	0.53		0.68	
Connector/Plug specifications		refer to page A4-120			

<Cautions> Reduce the moment of inertia ratio if high speed response operation is required.
Read the Instruction Manual carefully and understand all precautions and remarks before using the products.

Motor Dimensions

MSMD 200W - 750W



		MSMD series (Low inertia)					
Motor output		200W		400W		750W	
Motor model	MSMD	02□P1□	02□S1□	04□P1□	04□S1□	08□P1□	08□S1□
Rotary encoder specifications		2500P/r Incremental	17-bit Absolute/ Incremental	2500P/r Incremental	17-bit Absolute/ Incremental	2500P/r Incremental	17-bit Absolute/ Incremental
LL	Without brake	79		98.5		112	
	With brake	115.5		135		149	
	LR	30		30		35	
	S	11		14		19	
	LA	70		70		90	
	LB	50		50		70	
	LC	60		60		80	
	LD	—		—		—	
	LE	3		3		3	
	LF	6.5		6.5		8	
	LG	—		—		—	
	LH	43		43		53	
	LN	—		—		—	
	LZ	4.5		4.5		6	
Key way	LW	20		25		25	
	LK	18		22.5		22	
	KW	4h9		5h9		6h9	
	KH	4		5		6	
	RH	8.5		11		15.5	
	TP	M4 x 8 (depth)		M5 x 10 (depth)		M5 x 10 (depth)	
Mass (kg)	Without brake	0.82		1.2		2.3	
	With brake	1.3		1.7		3.1	
Connector/Plug specifications		refer to page A4-120					

<Cautions> Reduce the moment of inertia ratio if high speed response operation is required.
Read the Instruction Manual carefully and understand all precautions and remarks before using the products.